

Key Features

- Bi-directional wireless communication
- Self optimising wireless frequency and amplitude
- Automatic wireless channel hopping
- Fully intelligent
- Highly reliable
- Flexible on site device adjustment
- Built in sensor base reduces number of devices requiring installation
- Makes additions to existing wired systems easy and cost effective
- Utilises standard low cost lithium battery technology
- Fully monitored primary and secondary cells
- Compliant with current EN54 European standards

Technical Data Sheet

Reference: HFW-BS-01 & HFW-BSB-01

Wireless Base Sounder &
Base Sounder Beacon Range

The Hyfire base mounted Audio Visual devices provide a visually attractive and cost effective solution for a wide variety of installation types and sizes.



Additional information

- The Base Sounder and Base Sounder Beacon parameters are programmed via the Translator Module either by a wireless keypad, PC link or by its onboard keyboard.
- The Translator Module automatically manages wireless radiation power depending on the device communication quality.
- The sounder automatically adjusts its frequency and radiation power in accordance with the signal quality received from the Translator Module.

Design

- The Base Sounder and Base Sounder Beacon come as standard with 32 tone settings.
- The unit comes with two volume settings allowing adjustment up to 92dB (A) at a metre.
- Both the Base Sounder and Base Sounder Beacon devices come with a pre moulded base which will accommodate any type of Hyfire wireless detector, or can be removed to accommodate a locking cover plate.
- All Audio Visual devices are controllable from the control panel via the Translator Module and offer the same level of flexibility as a standard addressable loop sounder.
- Temperature compensation algorithms ensure a reliable and stable operation across a wide temperature range.



Unit B12a
Honiley Farm Business Park
Honiley
Warwickshire CV8 1NP
T: 01926 485282
F: 01926 485550
W: www.sterlingsafety.co.uk



HFW-BS-01 HFW-BSB-01

Wireless Base Sounder/
Base Sounder Beacon
Range

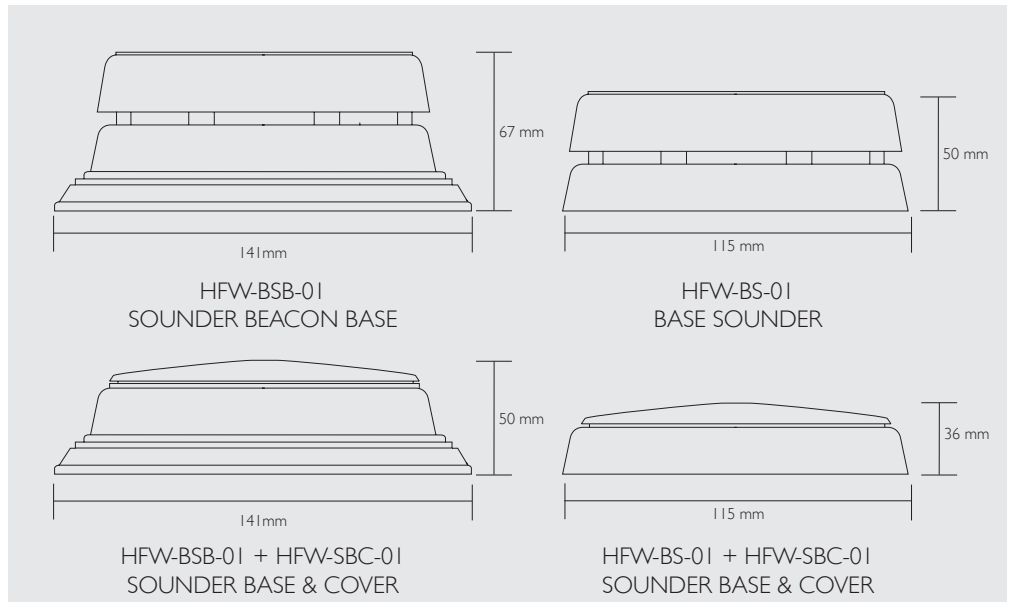
Power Supply

Dual 3V Lithium batteries
2 x Primary Cells CR123A
(1.2Ahr)

The primary and secondary cells alternate in providing power to the Sounder. The Hyfire Translator Module monitors the condition of both batteries and shows a low battery warning by using an internal LED as well as a fault indication at the Translator Module and fire control panel.

Indication

A bi-coloured (red and green) LED indicator provides information regarding the operational modes and condition of the power supplies. The indicator also provides information during the commissioning of the device and enables the installer to establish the most suitable mounting location to ensure best signal strength and operating stability.



Technical Specification

Communication range with the Translator Module	150M (open space)
Operating Frequency	868-870 MHz
Modulation Type	Frequency Modulation
Number of Operating channels	7
Time Period Between Wireless Signal Transmissions	From 7 sec. to 1 min.
Estimated Battery Life (dependant on time period between wireless signal transmissions)	
Primary Cell (CR123A)	3 years
Secondary Cell (CR123A)	2 months
Dimensions	
Sounder Base	116mm x 52mm
Sounder /Beacon Base	141mm x 67mm
Operating Temperature Range	-10°C to +50°C
Radiated Power	3mW (typical)
Sounder Output (selectable)	88 to 92dB (A) at 1 metre

Compatible Accessories

HFW-SBC-01 Locking Cover for HFW-BS-01 and HFW-BSB-01