

Fire alarm systems Cabinet for drawings 5013

- Metal cabinet
 - Same design as the EBL512 G3 c.i.e.
-

Cabinet for drawings

The cabinet 5013 is a complement to the EBL512 G3 c.i.e. (5000).

It is intended for building drawings / zone maps, operating instructions, etc.

Documents in A3 size (297 x 420 mm) can easily be stored in the cabinet.

When the door is opened there is a container inside that can be lifted / pulled out for easy access to the drawings, etc.

Metal cabinet

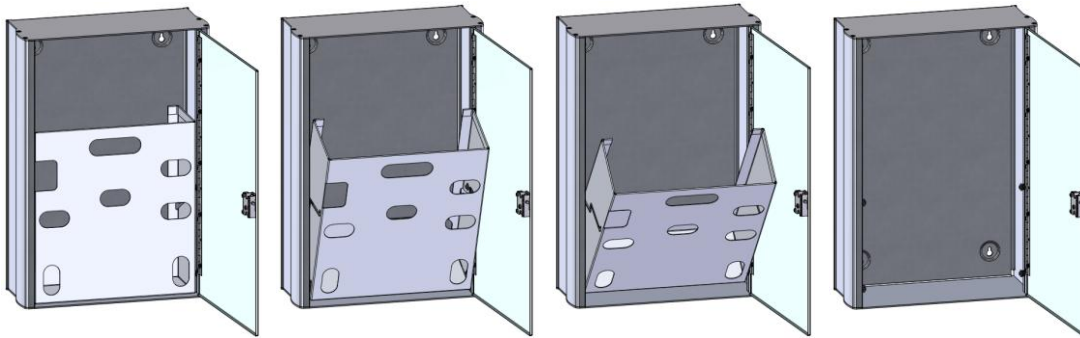
The cabinet is made of metal and has the same colour and size as the EBL512 G3 c.i.e. (5000). The same type of key is used.

Product application

The cabinet 5013 is intended for indoor use in dry premises and together with an EBL512 G3 c.i.e.

Type number

5013 Cabinet for drawings. (For EBL512 G3.)



Inside the cabinet there is a container that can be lifted / pulled out for easy access to the drawings, etc. It can also be removed from the cabinet (e.g. during mounting of the cabinet).

Technical data

Size W x H x D (mm)	438 x 628 x 187
Weight (kg)	Approx. 18
Colour (metal cabinet / door)	Light grey (NCS S 1500-N, PMS Cool grey 2)
Approvals	Not applicable.

All technical features and data are subject to changes without notice, resulting from continuous development and improvement.

Product Leaflet	Date of issue	Revision / Date of revision
MEW01356	2010-12-01	1 / 2010-12-08